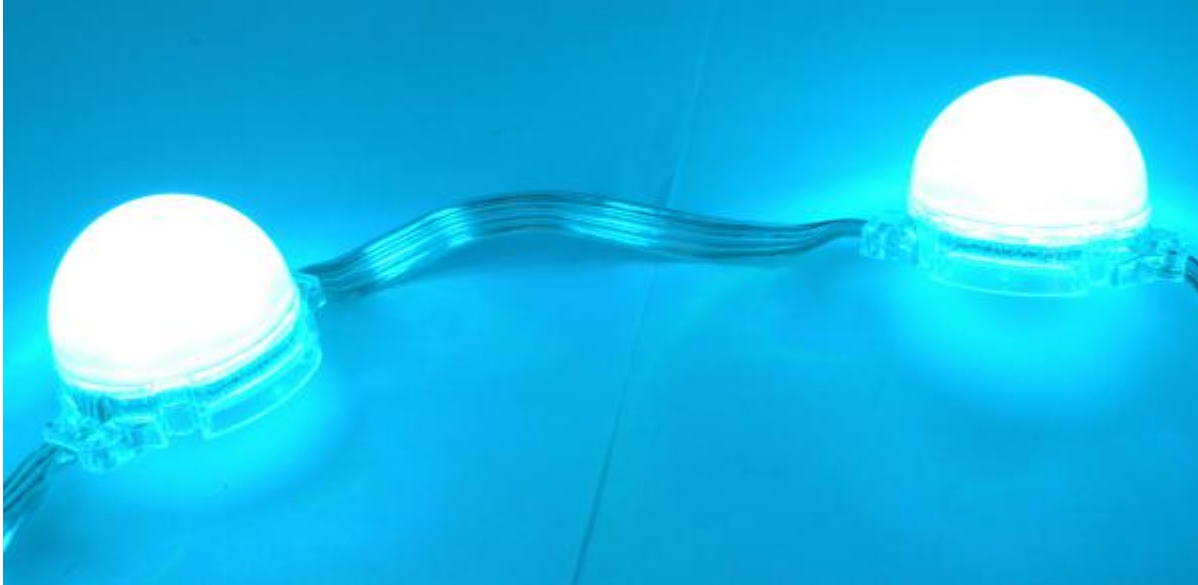


LED Pixel RGB Lighting GMC50-7RGBD5050



◆ Features

The Pixel RGB LED Direct Lighting is made of 5050SMD RGB LED. Each RGB LED Direct Lighting has one IC which can be run by T-1000S D2048RGB controller system which create any color effects such as motion picture effect and color animations as you desire. It can be arranged to any shapes accord to your project by easy software. The Pixel RGB LED Direct Lighting shall color up your signage accord to your idea.

- LEDs are housed by injection machine and using UV powder to protect from UV radiation.
- GMC50-7RGBD5050 as Lighting resource is ideal for outside channel letter and the bright lighting projects for the large-scale panel with super brightness and vivid color.
- Totally Waterproof. IP68.
- The cover is made of proper flexible silica gel so that it is more convenient and steady for installation. you can push or pull it easily from hole.
- LEDs can be taken out freely. You can push or pull it easily from hole which is convenient for installing and maintaining because of reasonable designing.
- Graceful exterior with transparent color, or it can be made to any color match with your channel.
- The length of connecting wire is 100mm±5%.

◆ Application:

They are ideal choice for Entertainment lighting.



Application 1

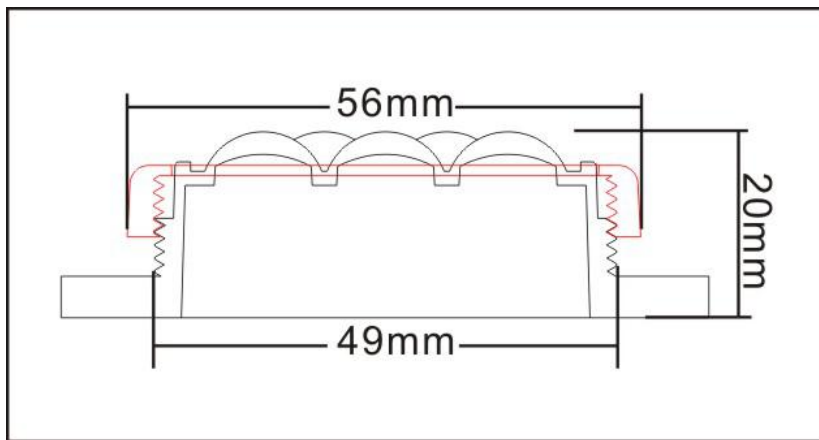


Application 2

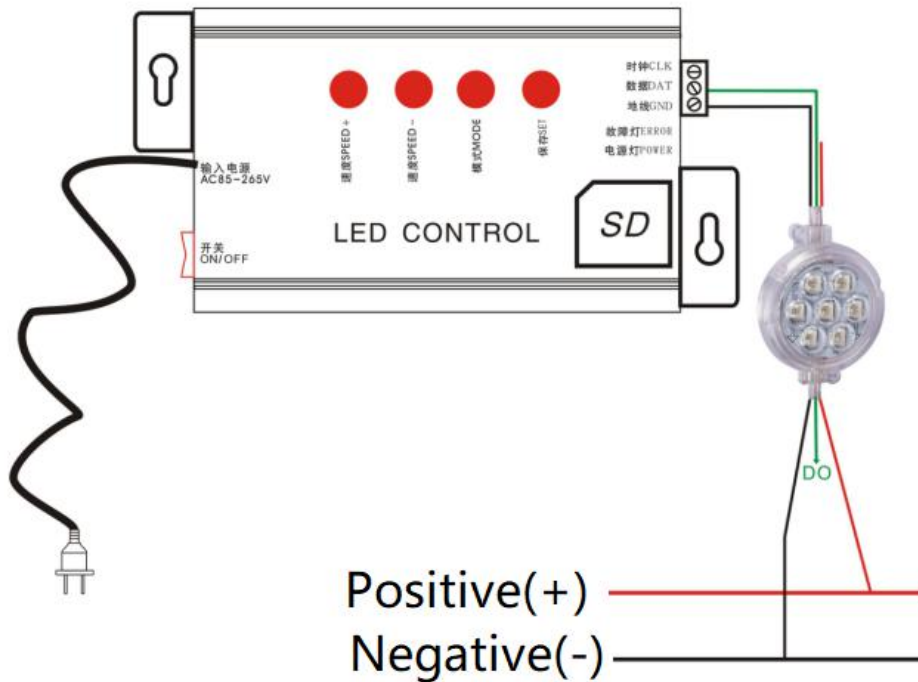
◆ **Parameters:**

| Part No. | Led Type | Led No./m | CCT | Lumen/m | CRI | Working Voltage | Power | Viewing Angle |
|-----------------|----------|-----------|-----|---------|-------|-----------------|-------|---------------|
| GMC50-7RGBD5050 | 5050 | 7 | / | 56 | RA>80 | DC12V | 1.5W | 120° |

◆ **Dimensions (mm):**



◆ **Connection Guide:**



◆ Attention:

- The hole light itself and all its components could not be mechanically stressed.
- Assembly must not damage or destroy conducting paths on the circuit board. The installation must be carried out by qualified personnel;
- Please check correct electrical polarity before connection. Wrong polarity may destroy the strip
- The max. length could not be over 50 pcs when serial connection. If length is over 50 pcs, you could see voltage drop which can cause hazardous overload and damage the light.
- Please ensure that the transformer could bear the total load.
- Pay particular attention to the conductive slopes, avoid bending the light so as not to slice them;
- Lights must be installed in a suitable environment. It is the user's responsibility to provide suitable

protection against corrosive agents such as moisture and condensation and other harmful elements

Before any application it is advisable to clean the surface where the strip will be glued; must be glued to a thermal-conductive surface, preferably aluminum

◆ Package information:

50pcs is one group; Two groups per aluminum foil bag; 10bags per carton; Total 1000pcs in one carton.

Carton size: 530*400*330cm; N.W: 11.5±5%Kg; G.W: 12.5±10%Kg