

## LED pixel Lighting

### GMC20-3W2835



#### ◆ Features

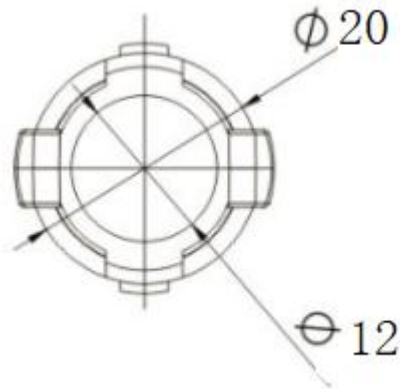
It can be arranged to any shapes according to your project. The Pixel LED Pixel Lighting shall color up your signage according to your idea.

- LEDs are housed by injection machine and using UV powder to protect from UV radiation.
- GMC20-3W2835 as Lighting resource is ideal for outside special shape signage and the bright lighting projects for the large-scale panel with super brightness and vivid color.
- Totally Waterproof. IP68.
- The cover is made of proper flexible silica gel so that it is more convenient and steady for installation. you can push or pull it easily from hole.
- LEDs can be taken out freely. You can push or pull it easily from hole which is convenient for installing and maintaining because of reasonable designing.
- Graceful exterior with transparent color, or it can be made to any color match with your channel.
- The length of connecting wire is 100mm±5%.

#### ◆ Parameters:

Part No.	Led Type	Led No./m	CCT	Lumen/m	CRI	Working Voltage	Power	Viewing Angle
GMC20-3W2835	2835	3	/	26	RA>80	DC12V	0.5W	120°

### ◆ Dimensions (mm):



### ◆ Connection Guide:

Just need adaptor/transformer/power supply connected to the light . It is so easy to operate it.

### ◆ Attention:

- The hole light itself and all its components could not be mechanically stressed.
- Assembly must not damage or destroy conducting paths on the circuit board. The installation must be carried out by qualified personnel;
- Please check correct electrical polarity before connection. Wrong polarity may destroy the strip
- The max. length could not be over 50 pcs when serial connection. If length is over 50 pcs, you could see voltage drop which can cause hazardous overload and damage the light.
- Please ensure that the transformer could bear the total load.
- Pay particular attention to the conductive slopes, avoid bending the light so as not to slice them;
- Lights must be installed in a suitable environment. It is the user's responsibility to provide suitable

protection against corrosive agents such as moisture and condensation and other harmful elements

Before any application it is advisable to clean the surface where the strip will be glued; must be glued to a thermal-conductive surface, preferably aluminum

### ◆ Package information:

50pcs is one group; four groups per aluminum foil bag; 25bags per carton; Total 5000pcs in one carton.

Carton size; 530\*400\*330cm; N.W: 11.5±5%Kg; G.W: 12.5±10%Kg