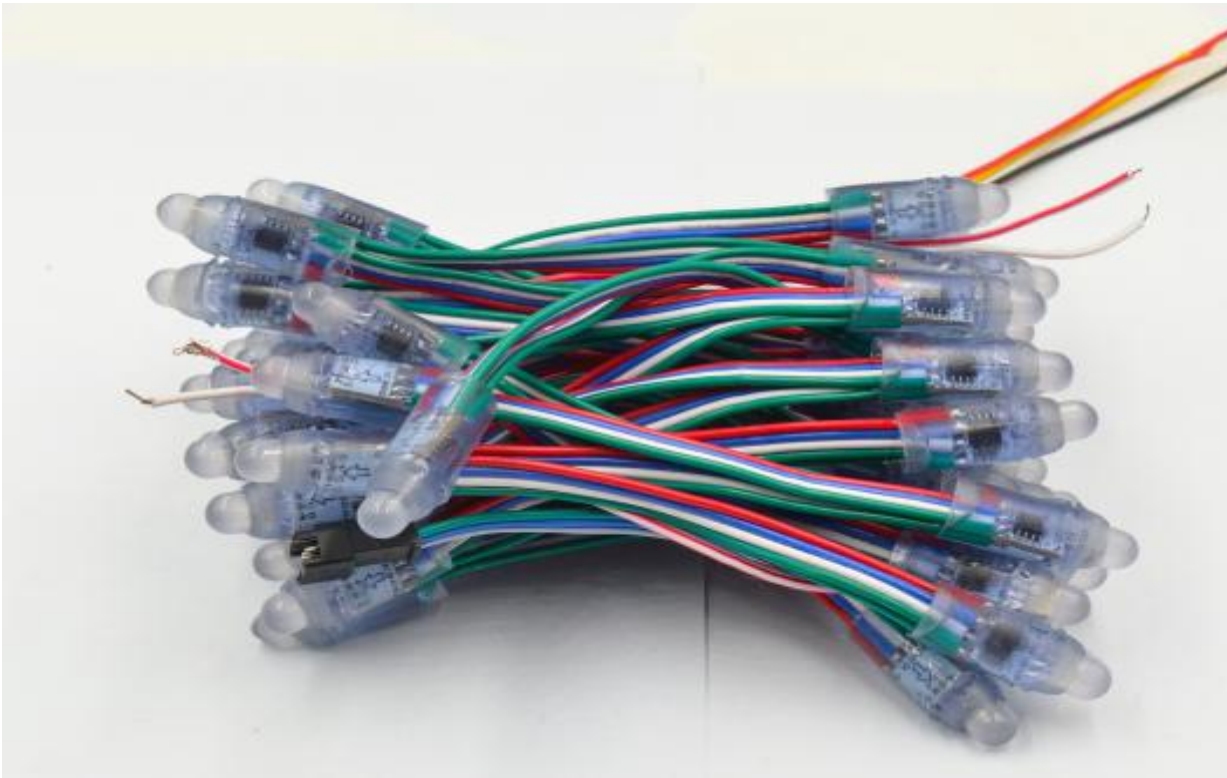


RGB LED Direct Lighting

GMC12-1RGBD



◆ Features

The Pixel RGB LED direct Lighting is made of Ø8mm round LED. Each RGB LED direct lighting has one IC which can be run by T-1000S controller system. With the help of the controller which can create any color effects such as animation picture and vivid color.

The animations are just as what you desire. It can be arranged to any shapes according to your project by easy software.

The Pixel RGB LED Direct Lighting shall color up your signage according to your idea.

- LEDs are housed by injection machine and using UV powder to protect from UV radiation.
- GMC12-1RGB as Lighting resource is ideal for outside channel letter and the bright lighting projects for the large-scale panel with super brightness and vivid color.
- Totally Waterproof. IP68.
- The cover is made of proper flexible silica gel so that it is more convenient and steady for installation. You can push or pull it easily from hole.
- LEDs can be taken out freely. You can push or pull it easily from hole which is convenient for installing and maintaining because of reasonable designing.
- Graceful exterior with transparent color, or it can be made to any color match with your channel.
- The length of connecting wire is 100mm±5%.

◆ Applications:

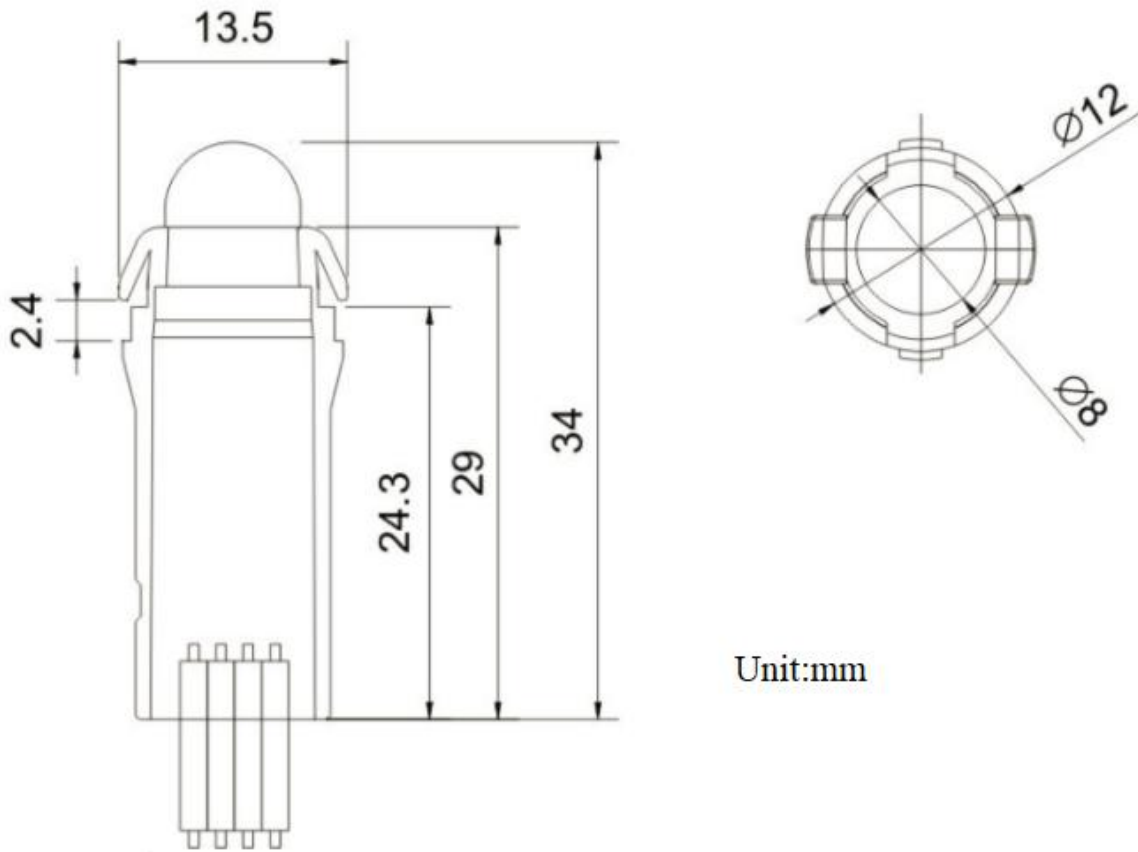
- Decorative lighting



◆ **Parameters:**

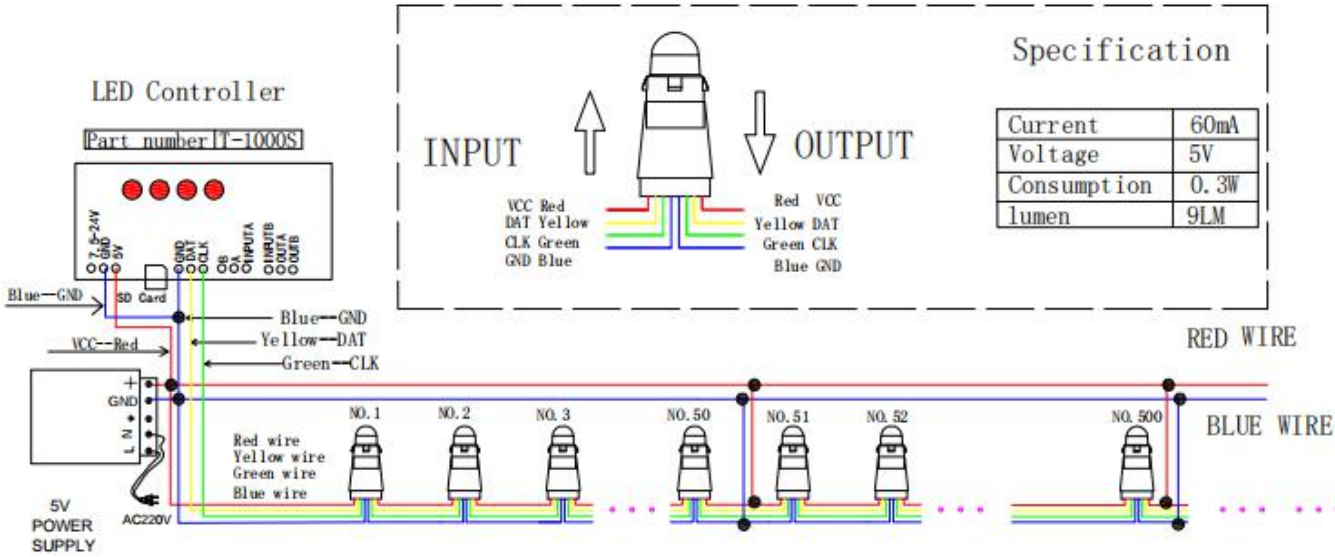
Part No.	Led Type	Led No./m	CCT	Lumen/m	CRI	Working Voltage	Power	Viewing Angle
GMC12-1RGBD	F8	1	/	9	/	DC5V	0.3W	120°

◆ **Dimensions (mm):**



◆ **Connection Guide:**

THE HOOKUP OF POWER SUPPLY AND LED CONTROLLER



CAUTION:

1. One string LEDs have 50pcs single LEDs.
2. Each string of light should be connected with power supply.
3. Connect the signal wires of pixel light and controller butt to butt.
4. Do not operate when the pixel lights with power.
5. Controller should be placed close to the first light.
6. The diameter of cuprum wire should be between 2.5mm² to 6mm² in the main wire.
7. The T-1000S controller can connect with 2048pcs pixel lights.

◆ Attention:

- The hole light itself and all its components could not be mechanically stressed.
- Assembly must not damage or destroy conducting paths on the circuit board. The installation must be carried out by qualified personnel;
- Please check correct electrical polarity before connection. Wrong polarity may destroy the strip
- The max. length could not be over 50 pcs when serial connection. If length is over 50 pcs, you could see voltage drop which can cause hazardous overload and damage the light.
- Please ensure that the transformer could bear the total load.
- Pay particular attention to the conductive slopes, avoid bending the light so as not to slice them;
- Lights must be installed in a suitable environment. It is the user's responsibility to provide suitable

protection against corrosive agents such as moisture and condensation and other harmful elements

Before any application it is advisable to clean the surface where the strip will be glued; must be glued to a thermal-conductive surface, preferably aluminum

◆ Package information:

50pcs is one group; two groups per aluminum foil bag; 50bags per carton; Total 5000pcs in one carton.

Carton size; 530*400*330cm; N.W: 11.5±5%Kg; G.W: 12.5±10%Kg

Factory Add: Floor 5, Yushan Industrial Park C Building, Songbai Road No.2079, Shiyuan Town, Bao'an, Shenzhen, China
 Tel/Fax: +86-755-27655320; Website: www.heyday-led.com; E-mail: cathy@heyday-led.com; Mobile: +86 134 1074 1216;
 Whatsapp: +86 134 1074 1216; Contact Person: Cathy Zhang