

LED Module for double sided lighting box



◆ Features

- ✧ Take 3030/2835 LED as light source, make the color uniform, good consistency;
- ✧ Die-casted shell molding process, good and unique appearance. And good heat dissipation effect and can reach IP65
- ✧ High efficiency chip, high brightness and reliability
- ✧ Special lens design, 15°*45°beaming angle with even light.
- ✧ DC12V Low voltage input. Constant voltage design. environment friendly
- ✧ 20pcs modules a string. Using a series-parallel mixed design. You can cut at random module.

◆ Applications

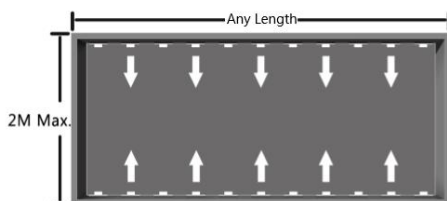
Best for 15-30cm depth double-sided light box or 8-20 cm depth single-sided light box at airports, metros, banks, buildings and shopping malls, etc.



Depth(mm)	Size(mm)	Density(pcs/m²)	Illumination(lux)
180	1000*1000	24	800-900
200	1000*1000	24	700-800
300	1000*1000	24	600-650

Remark:

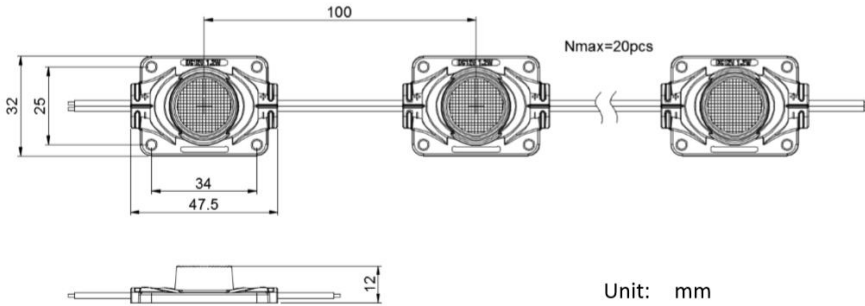
- The transmittance of the advertising fabric was 32%.
- The above data is for reference only.



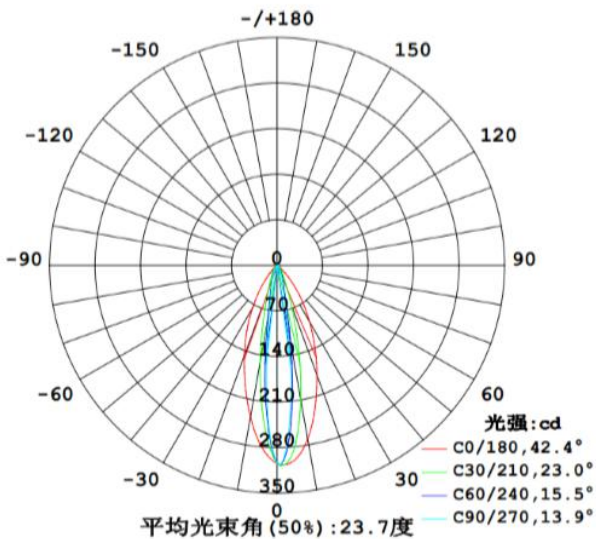
◆ **Parameters**

Part No.	Led Type	Led Color	CCT	Luminous	CRI	Working Voltage	Power	Viewing Angle
GM4832-1W2835	2835	Cool white	7500k	105	RA>80	DC12V	1.2W	15*45

◆ **Dimensions (mm)**

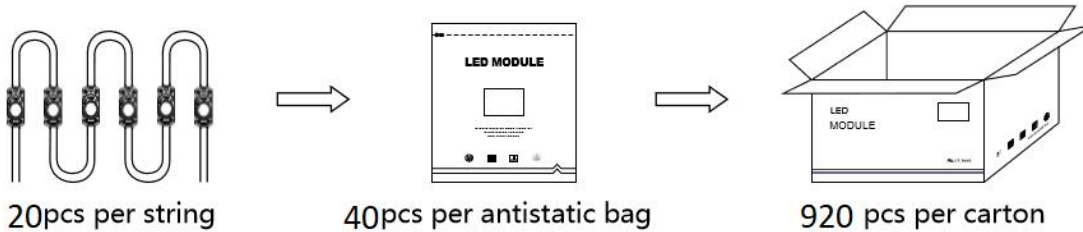


◆ **Lighting Distribution Curve**



◆ **Package information:**

20pcs modules per chain; 2chains per anti-static bag; 23bags per carton; Total 920pcs in one carton.
 Carton size: 46*27.5*28.5cm; N.W: 10.7±5%Kg; G.W: 11.7±10%Kg



◆ **Attentions**

- ✧ Maximum number of the modules per chain is 20 pcs if power to single end.
- ✧ The parameters may change as the material of lighting box or channel letters.

- ✧ The Led modules including its relate components can't be mechanically pressed.
- ✧ Please make sure the power supply is enough to operate the total load.
- ✧ Only professionals can tear down, install or maintain LED modules.
- ✧ All of tools used for installation need meet anti-flame rules.
- ✧ Power supply should have short circuit and over load protection.and total power should be less than rated power 80% of that power.
- ✧ Working temperature: -25~55°C.